



For more Hi-Fi manuals and set-up information
please visit www.hifiengine.com

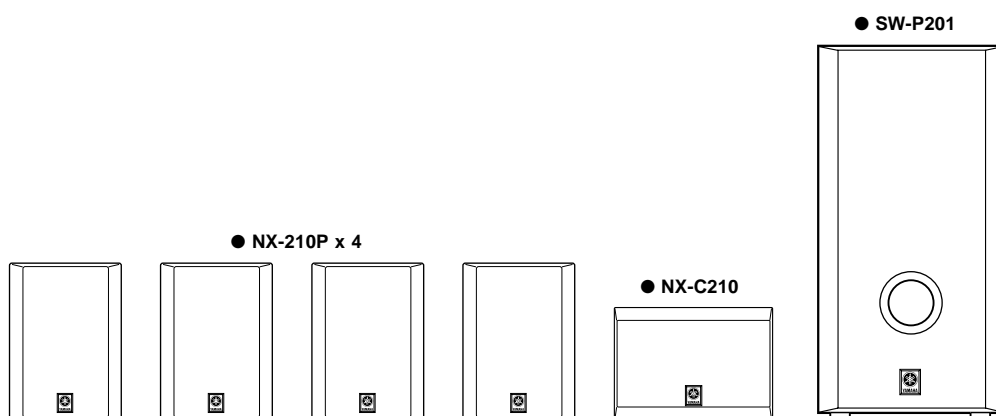
HOME THEATER SPEAKER SYSTEM

NS-P210

SERVICE MANUAL

NS-P210 is composed of NX-210P, NX-C210 and SW-P201.

The NX-210P and NX-C210 loudspeakers are not field serviceable and must be replaced as complete units.



IMPORTANT NOTICE

This manual has been provided for the use of authorized YAMAHA Retailers and their service personnel. It has been assumed that basic service procedures inherent to the industry, and more specifically YAMAHA Products, are already known and understood by the users, and have therefore not been restated.

WARNING: Failure to follow appropriate service and safety procedures when servicing this product may result in personal injury, destruction of expensive components, and failure of the product to perform as specified. For these reasons, we advise all YAMAHA product owners that any service required should be performed by an authorized YAMAHA Retailer or the appointed service representative.

IMPORTANT: The presentation or sale of this manual to any individual or firm does not constitute authorization, certification or recognition of any applicable technical capabilities, or establish a principle-agent relationship of any form.

The data provided is believed to be accurate and applicable to the unit(s) indicated on the cover. The research, engineering, and service departments of YAMAHA are continually striving to improve YAMAHA products. Modifications are, therefore, inevitable and specifications are subject to change without notice or obligation to retrofit. Should any discrepancy appear to exist, please contact the distributor's Service Division.

WARNING: Static discharges can destroy expensive components. Discharge any static electricity your body may have accumulated by grounding yourself to the ground buss in the unit (heavy gauge black wires connect to this buss).

IMPORTANT: Turn the unit OFF during disassembly and part replacement. Recheck all work before you apply power to the unit.

CONTENTS

TO SERVICE PERSONNEL	1
SW-P201 REAR PANELS	1—2
SPECIFICATIONS	3
SW-P201 DISASSEMBLY PROCEDURES	4

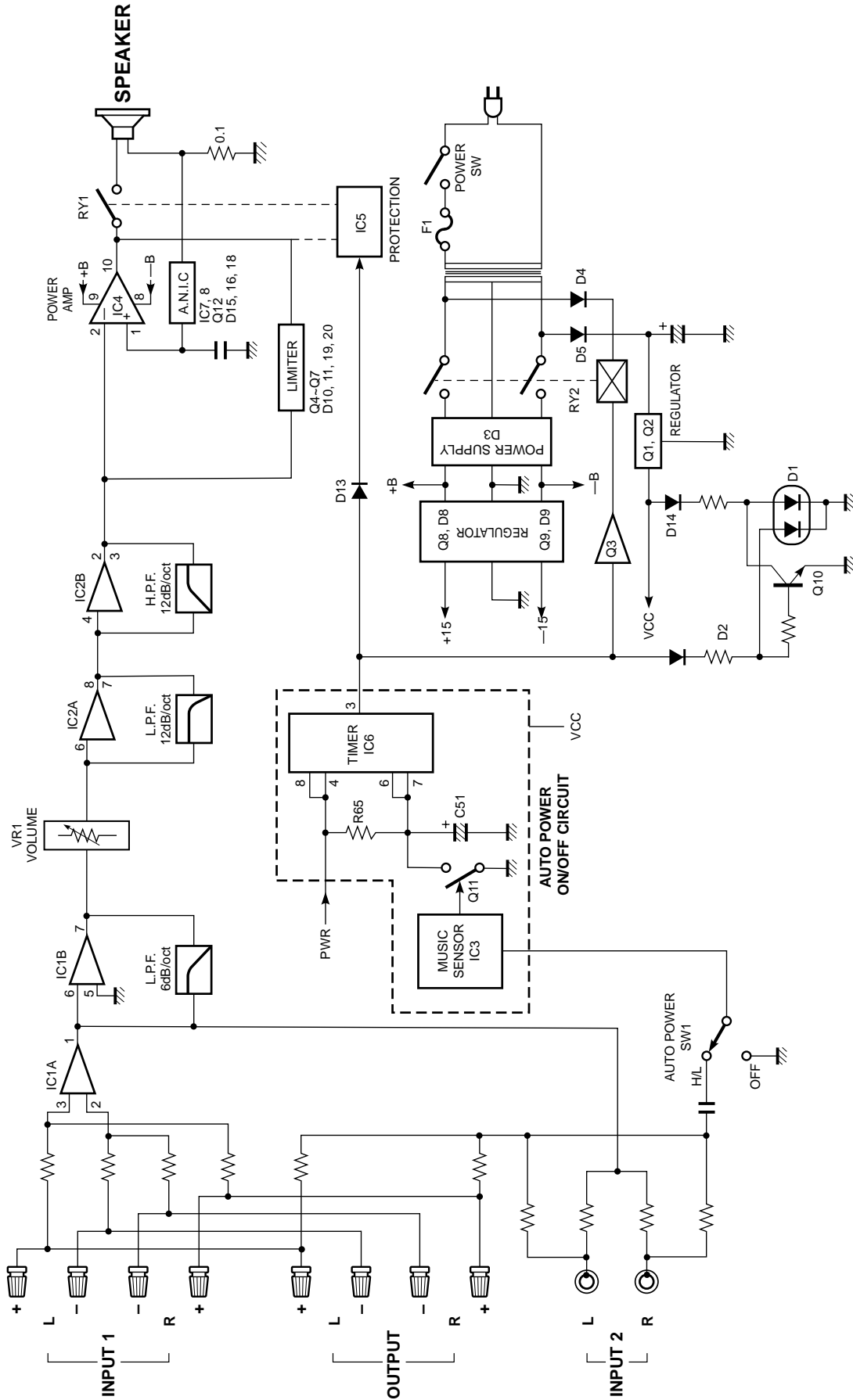
SW-P201 BLOCK DIAGRAM	5
SW-P201 PRINTED CIRCUIT BOARD	6—7
SW-P201 SCHEMATIC DIAGRAM	8
PARTS LIST	9—14



このサービスマニュアルは、エコマーク認定の再生紙を使用しています。
This Service Manual uses recycled paper.



SW-P201 BLOCK DIAGRAM

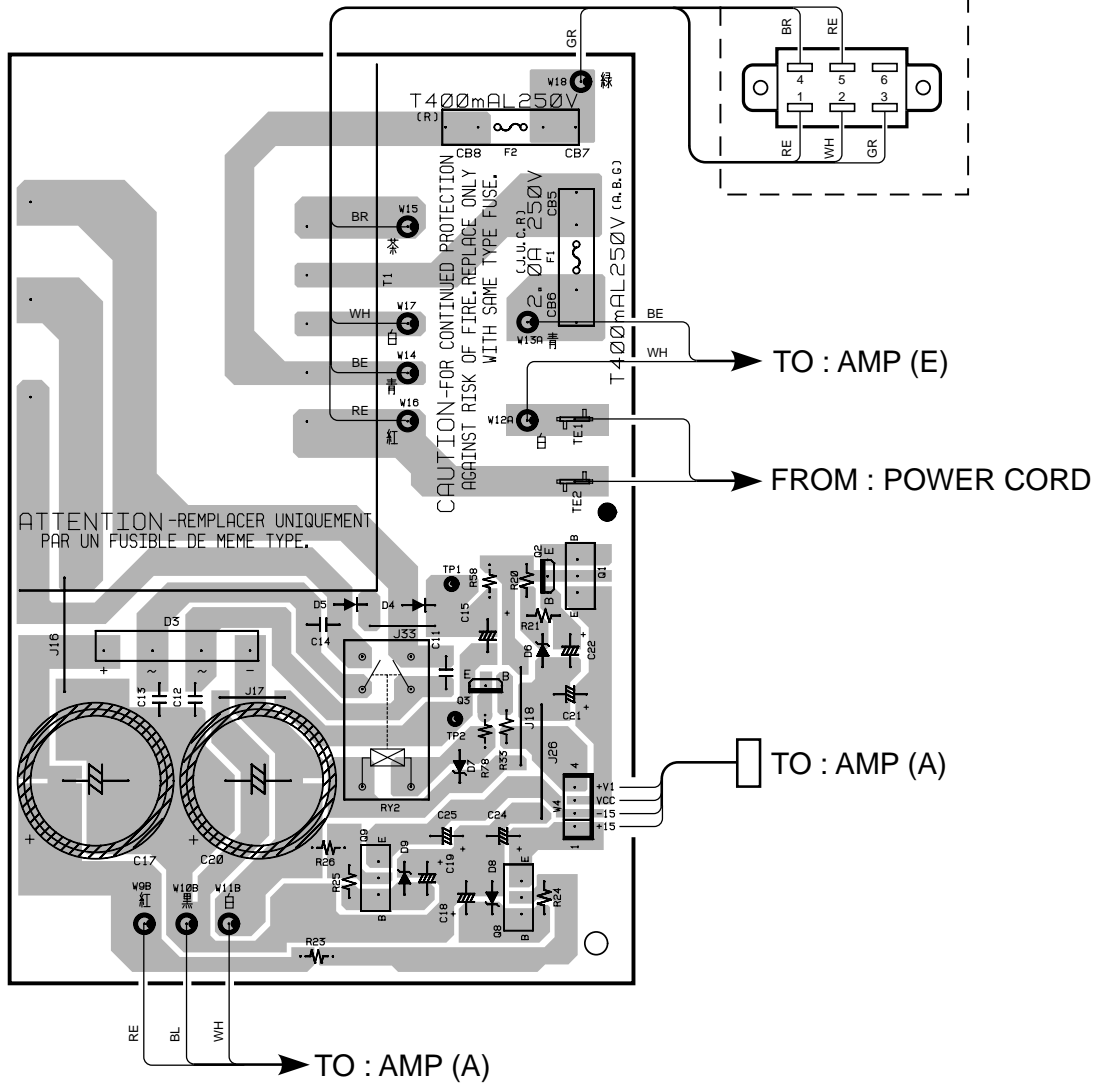


NS-P210

SW-P201 PRINTED CIRCUIT BOARD (Component side)

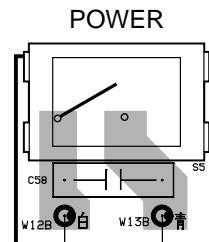
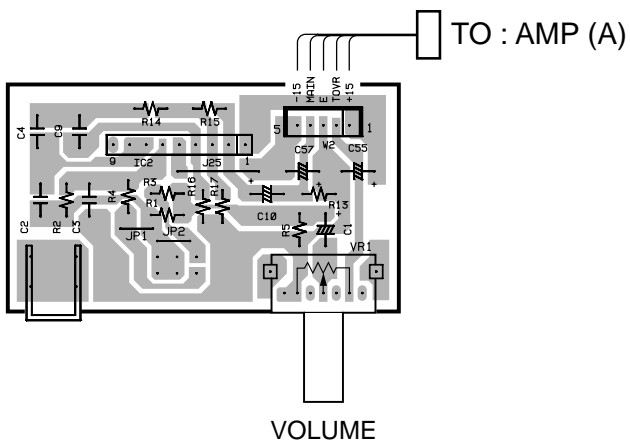
AMP P. C. B. (B)

R only

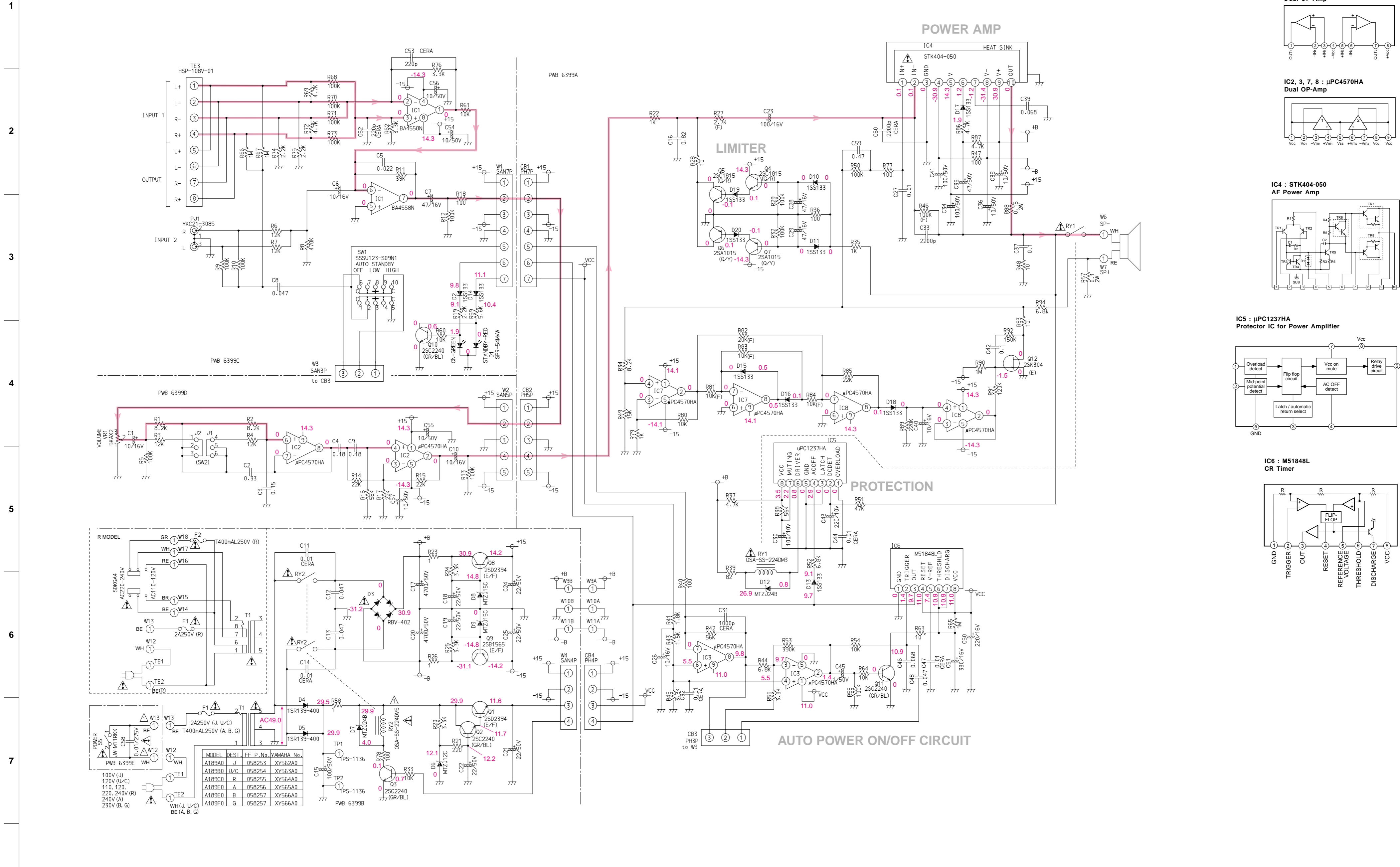
VOLTAGE
SELECTOR

AMP P. C. B. (D)

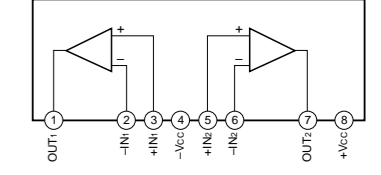
AMP P. C. B. (E)



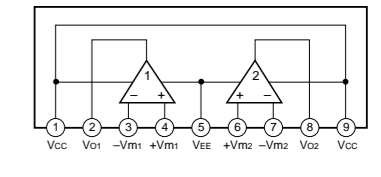
SW-P201 SCHEMATIC DIAGRAM



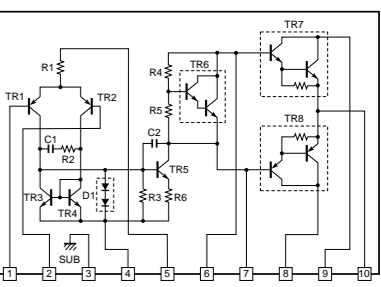
IC1 : BA4558N Dual OP-Amp



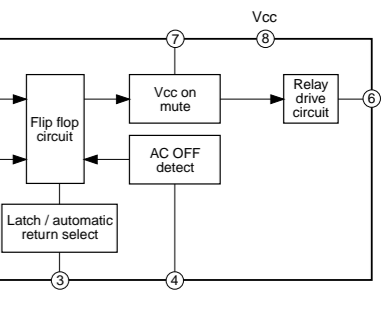
IC2, 3, 7, 8 : μPC4570HA Dual OP-Amp



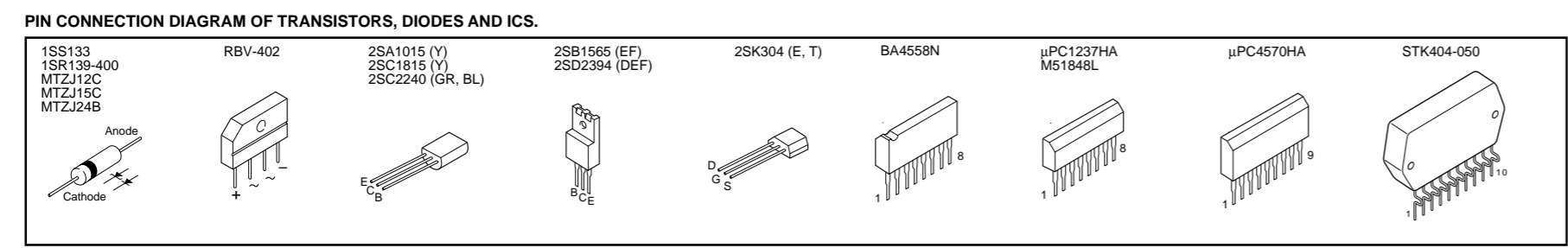
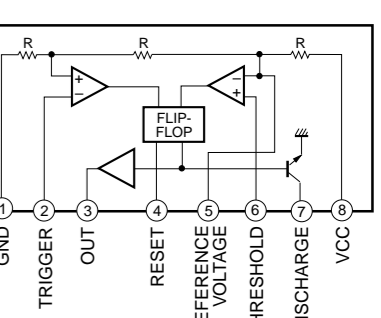
IC4 : STK404-050 AF Power Amp



IC5 : μPC1237HA Protector IC for Power Amplifier



IC6 : M51848L CR Timer



* All voltage are measured with a 10MΩ/V DC electric volt meter.
 * Components having special characteristics are marked Δ and must be replaced with parts having specifications equal to those originally installed.
 * Schematic diagram is subject to change without notice.